



HOVERMATT®

SPU Split-Leg Matt

The HoverMatt® Single-Patient Use (SPU) Split-Leg Matt is a specialty transfer mattress designed for use in the lithotomy position or on surgical tables when split-leg plates are employed. When the foot-end snaps of the mattress are fastened, the legs are kept together and lateral transfers can be performed. The legs can then be separated into two individual segments by disconnecting the snaps, and each segment can be positioned with the patient's legs. This keeps the HoverMatt from getting in the way during procedures. The SPU Split-Leg Matt also offers the added convenience of disposability when the patient's hospital stay is complete.



HoverTech's Single-Patient Use Split-Leg has been nominated for Surgical Products' 2015 Excellence in Surgical Products Awards!



HoverMatt® SPU Split-Leg Matt Benefits:

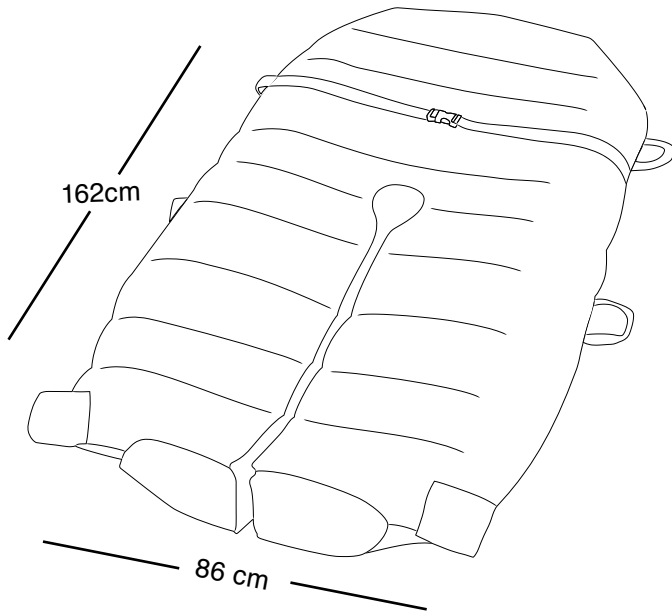
- Lateral transfer using air-assisted technology improves patient and caregiver comfort and safety
- Split-leg capability allows appropriate surgical positioning for lithotomy or other split-leg procedures, keeping excess material out of the way
- Inflated mattress moves patient in stable position, reducing skin shear and bruising
- Single-patient use product eliminates costs and logistics associated with reprocessing and greatly reduces risk of cross-contamination
- 544kg weight limit to accommodate most patients
- Variable speed air supply provides quieter and slower inflation options



HOVERMATT®

SPU Split-Leg Matt

HoverMatt® SPU Split-Leg Matt



Product Specifications

Material Specs

Sewn construction
Top: Non-woven polypropylene fiber
Bottom: Nylon fabric
Latex free
Water soluble perimeter thread (120°)
Thread in sewn handles NOT water soluble

Available Sizes

86cm (34") W x 162cm (64") L

Packaging

10 per box

Compatible with HoverTech Air Supplies

MHHT-AIR2300 (Variable Speed)

Patent No(s). US7712170, 7373680, 7406723, 7266852

If a HoverMatt® SPU Split-Leg Matt is laundered, it will no longer inflate when connected to the air supply. The "DO NOT WASH" label at the foot-end of the product will dissolve and state "DISCARD IMMEDIATELY".

Nominated for



Reason for the nomination:

The Split-Leg SPU is the only air-assisted lateral transfer device on the market with a split-leg configuration, making it ideal for the Operating Room/Theatre.

For more information, contact your local HoverTech distributor, or visit www.hovertech.com.au



JDH120615-v1.1

Distributed By:

Imported by:
JD Healthcare
6/30 Leighton Place, Hornsby NSW
sales@jdhealthcare.com.au
Ph: 1300 791 404